

XWS-30 compact light source

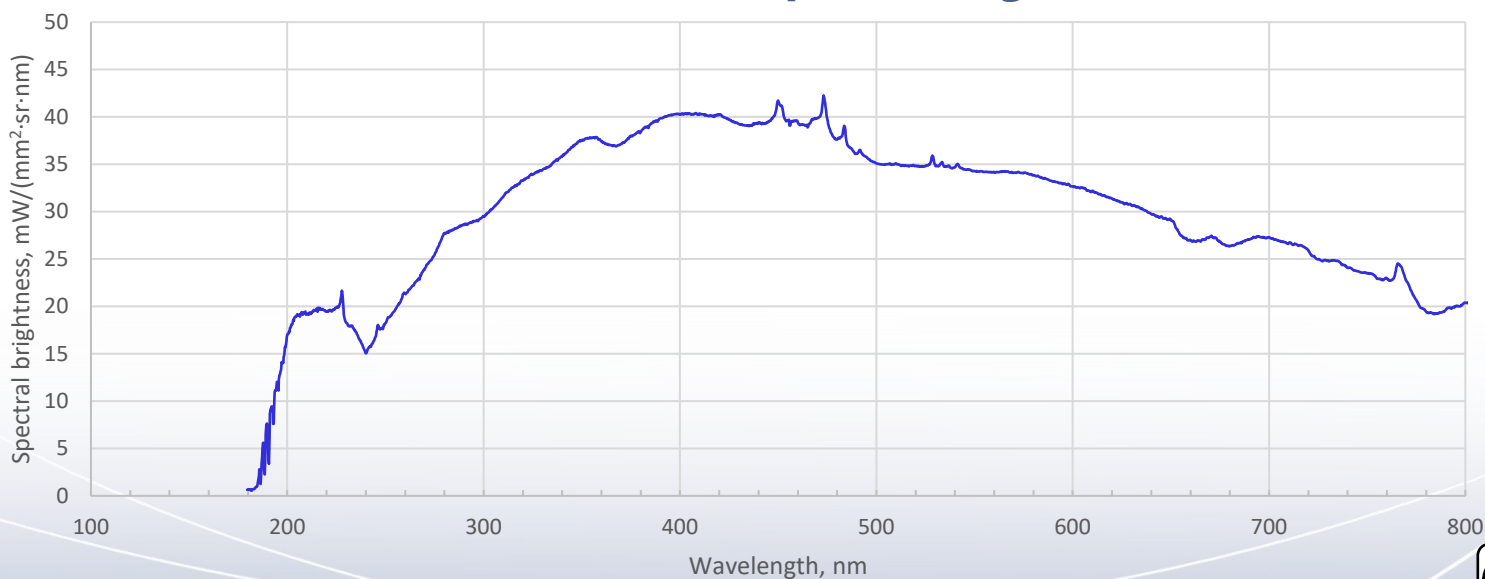


ISTEQ的XWS-30光源是专门为那些需要超紧凑、低散热保持等离子高亮度的宽带光源的客户而开发的。

产品特点:

- 一个紧凑的 “all in one” 的概念光源
- 非常紧凑: 110x110x120mm, 没有额外的冷却
- 光谱亮度: up to 40 mW/(mm²·sr·nm)
- 输出配置: Free space or FCU
- 全系统控制通过USB-RS485适配器笔记本/PC机

Spectral brightness of XWS-30 light source in UV and VIS spectral region

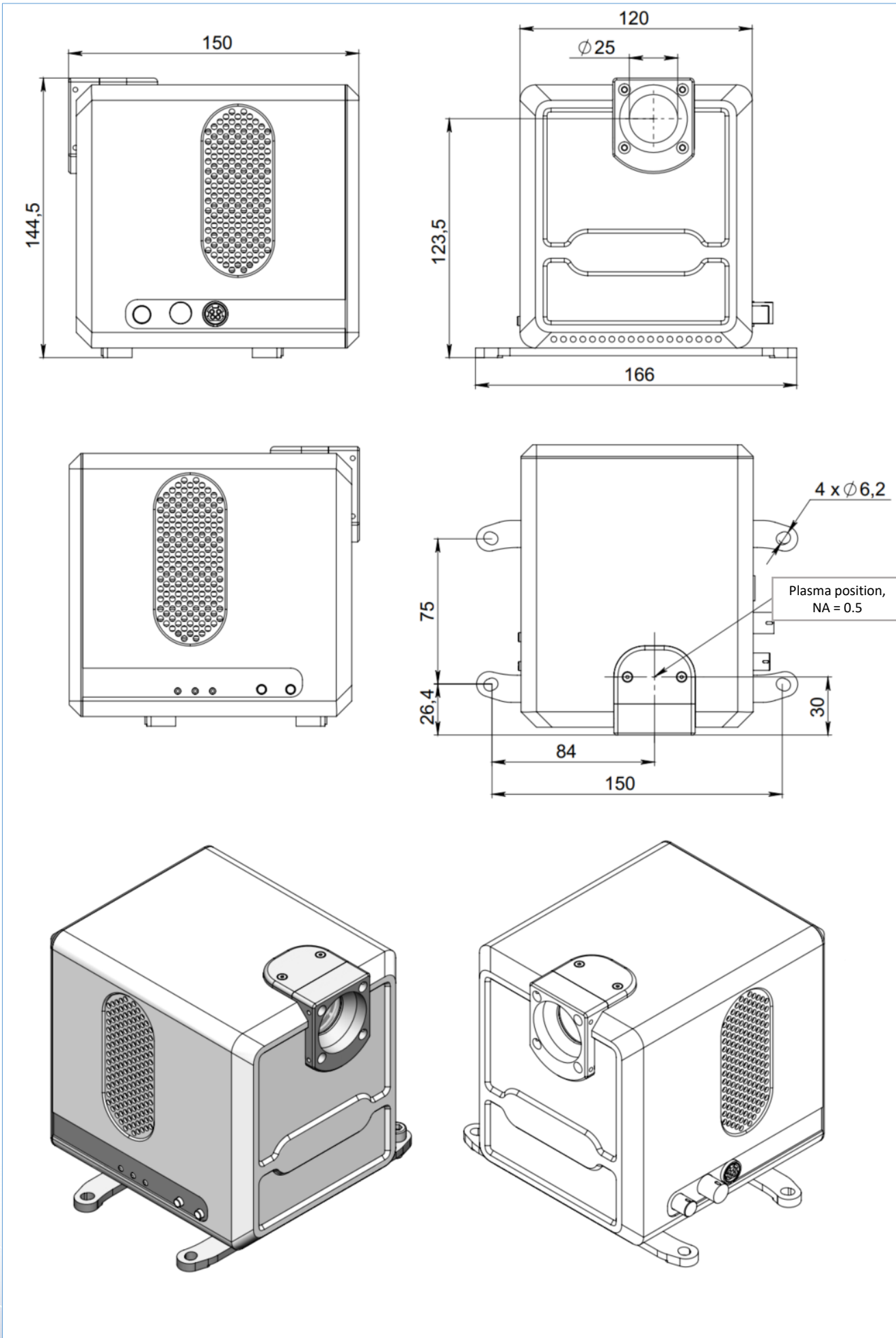


XWS-30 high power light source

XWS-30 参数

光谱范围	190 - 2500nm for UV configuration, 250 - 2500nm for OFR configuration
光谱亮度	Up to 40mW/(mm ² ·sr·nm)
输出功率	Up to 1.5 W free space Up to 0.4 W via fiber
灯介质	Xenon
发射体尺寸	100×200um
使用寿命	10,000 hours
时空稳定性	STD < 0.15%
光学设计	
默认输出NA	0.5, up to 0.55 upon request
默认外部光接口	C-mount
可选的输出接口	Thorlabs SM1, 30mm cage and more
光纤接口(仅针对FCU版本)	SMA or FC
可选配置	
光源光谱	UV or Ozone free
光输出	Free space or fiber coupled
光源冷却装置	Air cooling
附加选项	
连接电脑/笔记本电脑	COM-port (RS485) or USB
联锁	Lemo FG
系统尺寸和重量	
光源	110 × 110 × 120mm, 2kg
厂家要求	
电源	100-240V, 50/60Hz
气体吹扫(仅适用于UV配置)	Nitrogen or Argon purging, 1l/min

XWS-30 compact light source



XWS specifications

	XWS-30	XWS-65	XWS-R	XWS-X
光谱范围for UV/OFR:	190 - 2500nm / 250 - 2500nm			
最大光谱亮度	40mW/(mm ² ·nm·sr)	50mW/(mm ² ·nm·sr)	90mW/(mm ² ·nm·sr)	120mW/(mm ² ·nm·sr)
输出功率	Up to 1.5W free space Up to 0.4W via fiber	Up to 3W free space Up to 0.5W via fiber	Up to 5W free space Up to 1W via fiber	Up to 3W free space Up to 0.6W via fiber
发射体尺寸	100×200um	250×500um	250×700um	250×500um
使用寿命	10,000 hours			
时空稳定性	STD < 0.15%			
光学设计				
默认输出NA	0.5	0.4	0.4	0.4
最大NA值(根据要求)	0.55			
外部光学接口	C-mount, 30 Thorlabs cage			
可选配置				
光源光谱	UV or Ozone free			
光输出	Free space or fiber coupled			
附加选项				
外部控制	COM-port (RS-485)	COM-port (RS-232)		
联锁/远程等离子控制	Lemo FGG	Db-15 connector		
尺寸				
光源尺寸	138x110x148mm	130x75x106mm	130x110x106mm	130x75x106mm
电源尺寸	NA (No power supply)	351x175x232mm	351x175x232mm	351x175x232mm

Available configurations

	Output configuration		Cooling system			
	Dual Port Output	UV/OFR FCU	Water Cooled Optical Head	Air Cooled PSU	Water Cooled PSU	Air Cooled PSU
XWS-30	✗	✓	✗	✓	N/A	N/A
XWS-65	✓	✓	✓	✓	✓	✓
XWS-R	✗	✓	✓	✓	✓	✓
XWS-X	✓	✓	✓	✓	✓	✓
XWS-XR	✗	✓	✓	✓	✓	✓

Custom design

Upon a request that is possible to modify ISTEQ serial product to meet customer requirements.

Contacts

ISTEQ B.V. is located in the High Tech Campus Eindhoven which is famous as the “smartest km²” in The Netherlands. The campus holds more than 125 companies and institutes with more than 10,000 researchers, developers and entrepreneurs working on developing future cutting edge technologies and products.



北京众星联恒科技有限公司

电话: 010-86467571

邮箱: sales@top-unistar.com

地址: 北京市海淀区信息路1号 国际创业园
西区 2号楼1305 邮编: 100085

网址: www.top-unistar.com